

# A798 Thermal Receipt Printer



# User Guide



Made under one or more of the following U.S. patents:  
4886381, 5579043, 5613787, 5651624, 5713678, 5752779, 5789916,  
5800080, 5879090, 5887999, 5975776, 6027266, 6085973, 6089450,  
6129465, 6155483, 6404452, 6486902, 6504331, 5749277, 6722754,  
6739773, 6784909.

**Cognitive**   
Transaction Printer Group

## Federal Communications Commission (FCC) Radio Frequency Interference Statement Warning

Changes or modifications to this unit not expressly approved by the party responsible for compliance could void the user's authority to operate the equipment.

### Note

This equipment has been tested and found to comply with the limits for a Class A digital device, pursuant to Part 15 of the FCC Rules. These limits are designed to provide reasonable protection against harmful interference when the equipment is operated in a commercial environment. This equipment generates, uses, and can radiate radio frequency energy and, if not installed and used in accordance with the instruction manual, may cause harmful interference to radio communications. Operation of this equipment in a residential area is likely to cause harmful interference in which case the user will be required to correct the interference at his own expense.

### Information to the User

This equipment must be installed and used in strict accordance with the manufacturer's instructions. However, there is no guarantee that interference to radio communications will not occur in a particular commercial installation. If this equipment does cause interference, which can be determined by turning the equipment off and on, the user is encouraged to contact TPG immediately.

TPG is not responsible for any radio or television interference caused by unauthorized modification of this equipment or the substitution or attachment of connecting cables and equipment other than those specified by TPG. The correction of interferences caused by such unauthorized modification, substitution or attachment will be the responsibility of the user.

In order to ensure compliance with the Product Safety, FCC and CE marking requirements, you must use the power supply, power cord, and interface cable which are sold for use with this product or which meet the following parameters:

### Power Supply

UL Listed (QOQG), Class 2 power supply with SELV (Secondary Extra Low Voltage), non-energy hazard output, limited energy source, input rated 100-240 Vac, 1.5/0.8 A, 50/60 Hz, output rated 24 Vdc, 2.3 A for 55 watt unit; 100-240 Vac, 2.0A, 50/60 Hz, output rate 24 Vdc, 3.125 A for 75 watt unit.

Use of this product with a power supply other than the TPG power supply will require you to test the power supply and TPG printer for FCC and CE mark certification.

### Communication Interface Cable

A shielded (360 degree) interface cable must be used with this product. The shield must be connected to the frame or earth ground connection or earth ground reference at EACH end of the cable.

Use of a cable other than described here will require that you test the cable with the TPG printer and your system for FCC and CE mark certification.

### Power Cord

A UL listed, detachable power cord must be used. For applications where the power supply module may be mounted on the floor, a power cord with Type SJT marking must be used. For applications outside the US, power cords which meet the particular country's certification and application requirements should be used.

Use of a power cord other than described here may result in a violation of safety certifications which are in force in the country of use.

### Industry Canada (IC) Radio Frequency Interference Statement

This Class A digital apparatus meets all requirements of the Canadian Interference-Causing Equipment Regulations.

Cet appareil numérique de la classe A respecte toutes les exigences du Règlement sur le matériel brouilleur du Canada.

### Voluntary Control Council for Interference (VCCI) Radio Frequency Interference Statement

This is a Class A product based on the standard of the Voluntary Control Council for Interference by Information Technology Equipment (VCCI). If this equipment is used in a domestic environment, radio disturbance may arise. When such trouble occurs, the user may be required to take corrective actions.

この装置は、情報処理装置等電波障害自主規制協議会（VCCI）の基準に基づくクラスA情報技術装置です。この装置を家庭環境で使用すると電波妨害を引き起こすことがあります。この場合には使用者が適切な対策を講ずるよう要求されることがあります。

### Disclaimer

Information in this document is subject to change without notice. Consult your TPG sales representative for information that is applicable and current. TPG reserves the right to improve products as new technology, components, software, and firmware become available.

No part of this document may be reproduced, transmitted, or translated in any form or by any means, electronic or mechanical, for any purpose without the express written permission of TPG.

### Copyright

Copyright © 2007 by TPG - Transaction Printer Group, a subsidiary of ATSI Holdings, Inc.

950 Danby Road, Ithaca, New York 14850, USA. All rights reserved. Printed in USA. Confidential, Unpublished. Property of TPG.

### Trademarks

TPG is a trademark of ATSI Holdings, Inc.

Microsoft, Windows NT are registered Trademarks of Microsoft Corporation in the U.S.A. and/or other countries.

Inside Out Networks, Inside Out, EPIC, and Edgeport are trademarks of Inside Out Networks.

All other trademarks and registered trademarks are the property of their respective holders.

### Patents

Made under one or more of the following U.S. patents: 4886381, 5579043, 5613787, 5651624, 5713678, 5752779, 5789916, 5800080, 5879090, 5887999, 5975776, 6027266, 6085973, 6089450, 6129465, 6155483, 6404452, 6486902, 6504331, 5749277, 6722754, 6739773, 6784909.

### Web Site

<http://www.TPGprinters.com>

# Contents

<b>Contents</b> .....	<b>3</b>
<b>Chapter 1: About this Guide</b> .....	<b>5</b>
<b>How to use this guide</b> .....	<b>5</b>
<b>Where to find advanced technical information</b> .....	<b>5</b>
Download manuals and drivers .....	5
<b>Support</b> .....	<b>5</b>
<b>Chapter 2: About the Printer</b> .....	<b>6</b>
<b>Description of printer</b> .....	<b>6</b>
<b>Printer controls</b> .....	<b>7</b>
<b>Available printer configurations</b> .....	<b>8</b>
<b>Printer configuration identification</b> .....	<b>8</b>
<b>Communication interfaces</b> .....	<b>8</b>
<b>Standard Features</b> .....	<b>9</b>
<b>Factory-installed options</b> .....	<b>9</b>
<b>Add-on options</b> .....	<b>9</b>
<b>Printing features</b> .....	<b>9</b>
<b>Chapter 3: Setting up the Printer</b> .....	<b>11</b>
<b>Unpack the printer</b> .....	<b>11</b>
<b>Check the packing list</b> .....	<b>11</b>
<b>Load or change the receipt paper</b> .....	<b>12</b>
<b>Changing the paper path width</b> .....	<b>13</b>
<b>Mounting the 55-watt power supply on a vertical surface</b> .....	<b>14</b>
<b>(using optional kit A798-K309)</b> .....	<b>14</b>
<b>Spill shield option installation</b> .....	<b>14</b>
<b>Connect the cables</b> .....	<b>15</b>
<b>Cash drawer cables</b> .....	<b>15</b>
<b>Communication cables</b> .....	<b>16</b>
RS-232C cable (9-pin and 25-pin) and Parallel.....	16
USB cable.....	17
Powered USB cable.....	17
<b>Power supply cable</b> .....	<b>18</b>
<b>Cable routing</b> .....	<b>19</b>
<b>Test the printer</b> .....	<b>19</b>

<b>Chapter 4: Using the Printer .....</b>	<b>20</b>
<b>Configuring the printer .....</b>	<b>20</b>
<b>Monochrome paper print density .....</b>	<b>23</b>
<b>When to change the receipt paper .....</b>	<b>24</b>
<b>Printhead Setting .....</b>	<b>24</b>
<b>Preventing overheating of the printhead .....</b>	<b>25</b>
<b>Troubleshooting the printer .....</b>	<b>26</b>
<b>Printer tone and green LED .....</b>	<b>26</b>
<b>Printing issues .....</b>	<b>27</b>
<b>Printer does not function .....</b>	<b>28</b>
<b>Chapter 5: Paper and Supplies .....</b>	<b>29</b>
<b>Ordering from TPG .....</b>	<b>29</b>
<b>Ordering thermal paper .....</b>	<b>29</b>
<b>Thermal paper specifications .....</b>	<b>29</b>
<b>Qualified Paper Grades .....</b>	<b>30</b>
<b>Cash drawers .....</b>	<b>31</b>
<b>Power supply and power cords .....</b>	<b>31</b>
<b>Wall-mount kits .....</b>	<b>32</b>
<b>Documentation and utilities .....</b>	<b>32</b>

# Chapter 1: About this Guide

## How to use this guide

The guide is designed to help you find the information you need quickly and easily, whether you are installing, servicing, or making adjustments to a TPG printer. The chapter headings are self-explanatory, and the index at the back can also point you in the right direction.

For basic printer setup, refer to *Chapter 3: Setting up the Printer*. This section has been written under the assumption that the printer will arrive pre-configured. For instructions on checking the configuration or reconfiguring the printer, look in *Chapter 4: Using the Printer*.

Having problems? Check the troubleshooting section in the back of Chapter 4.

Need paper specs? Look in Chapter 5: *Paper and Supplies*.

---

## Where to find advanced technical information

Since TPG printers are shipped pre-configured and have been designed to operate with no maintenance, this guide provides only essential technical and configuration information. TPG also has a Programming Guide for this printer with more detailed discussion of programming capabilities. The **A798 Programming Guide** has been developed as a companion to the **User Guide** and includes additional programming information. The **A798 Service Guide** is available to qualified service technicians who have been certified by TPG to perform advanced procedures.

Because of the printer's wide array of printing capabilities, you may prefer to contact TPG support for more assistance.

---

## Download manuals and drivers

The **A798 Setup Guide**, **A798 User Guide**, **A798 Programming Guide**, and various printer drivers can be downloaded from the TPG Web site in .pdf format: <http://www.TPGprinters.com>, in the "Service and Support" window.

---

## Support

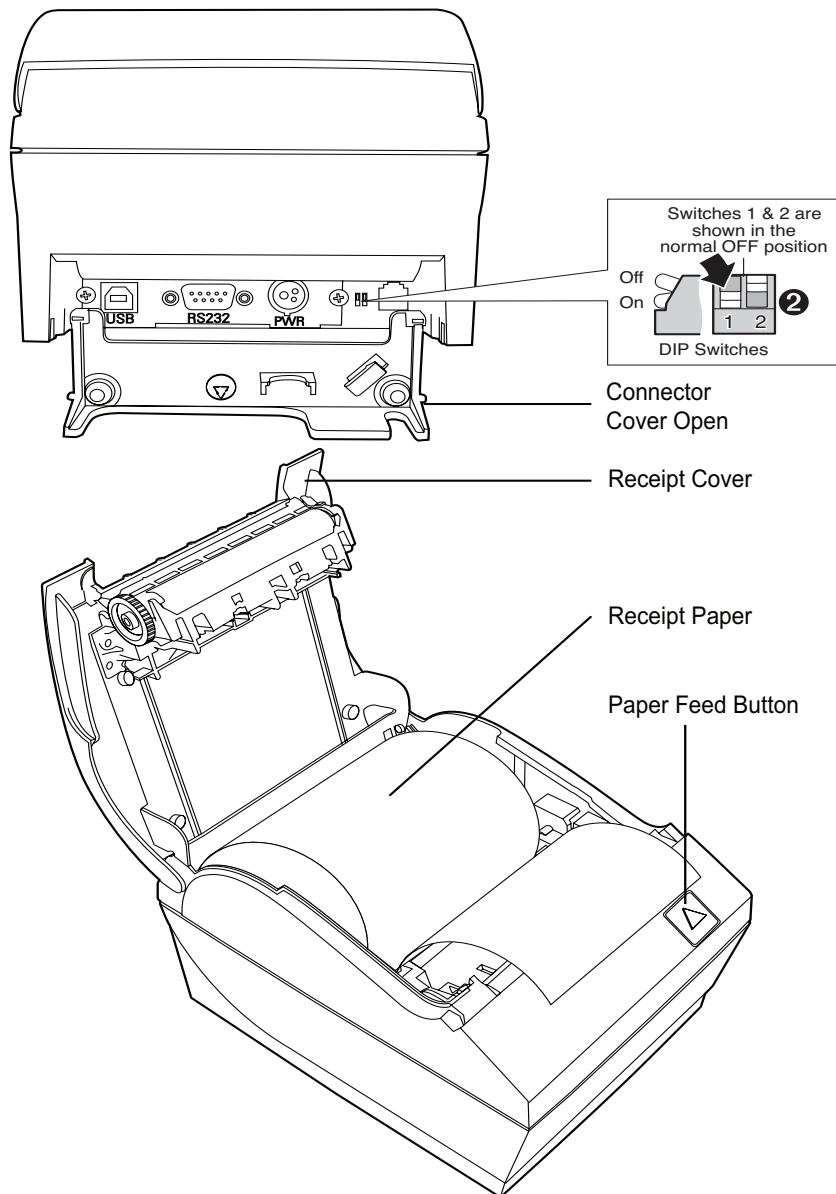
For more advanced procedures and troubleshooting, you may need to refer to the printer's programming or service guides or speak to TPG technical support. Your TPG representative is also able to provide you with necessary information.

Additional information about TPG's products and services is posted on the TPG Web site, at <http://www.TPGprinters.com>. The Web site can also direct you to service and support within your area, or e-mail: [support@TPGprinters.com](mailto:support@TPGprinters.com).

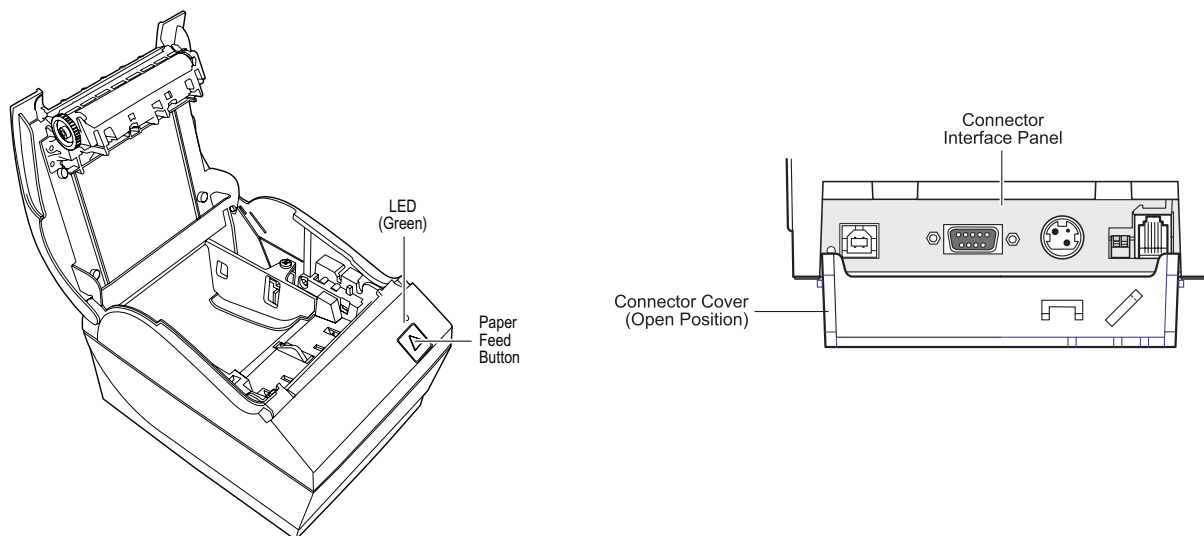
## Chapter 2: About the Printer

### Description of printer

The A798 thermal receipt printer is easy to install, use, and maintain. Utilizing TPG's Clam shell design, simply snap open the receipt cover and drop the paper roll in place. You never need to change a printer ribbon or cartridge because it uses thermal printer technology.



## Printer controls



### Configuration switch (DIP switch 1)

The configuration switch allows you to change the configuration settings of the printer.

### Paper feed button

During normal use, the paper feed button advances the paper. It is also used to access the configuration menu.

### LED

The green LED indicates basic information about the printer status. A steady green light means the printer is on and operating normally. A flashing LED means the printer needs operator assistance. Refer to the troubleshooting section on page 30 for more information.

### Beep

A single beep means the printer has successfully completed its startup routine. It should beep after being powered up or reset.

If the printer beeps twice, it may be experiencing a problem. Refer to the troubleshooting guide on page 30 for more information.

### Connector Cover

The connector cover provides protection and strain relief for the printer connectors and cables. This cover should remain on the printer and utilized as described in Chapter 3, *Cable routing*.

## Available printer configurations

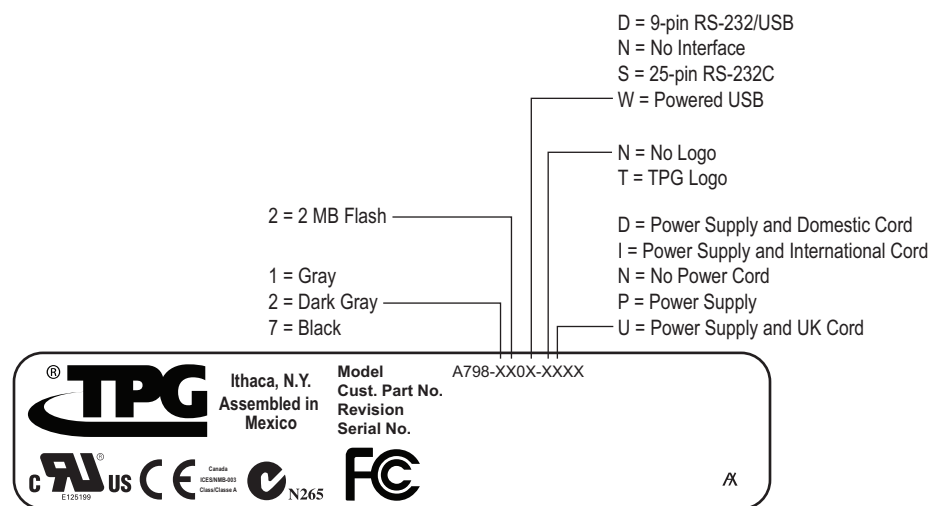
There are several configurations of the printer, depending on the combination of desired options.

### Printer configuration identification

See the sample below to determine the printer configuration. The printer configuration identification (Model ID) is located on the model label attached to the back of the printer. This information is also shown on the installation quality report card. The Model ID description is shown below.

### Communication interfaces

- RS-232C serial interface (25-pin)
- Universal Serial Bus (USB)/RS232 serial (9-pin)
- Parallel
- Powered USB





---

## Standard Features

<b>Interfaces</b>	Interfaces vary according to specific configuration: USB/RS232 , 25-pin serial, PUSB, Parallel
<b>Memory/Firmware</b>	2 MB flash memory, History EEROM, 4K buffer (see factory-installed options below for additional memory)
<b>Resident character sets</b>	PC code pages 437 (US), 850 (Multilingual), 737 (Greek), 852 (Slavic), 857 (Turkish), 858 (with Eurosymbol), 860 (Portuguese), 862 (Hebrew), 863 (French Canadian), 865 (Nordic), 866 (Cyrillic), 1252 (Windows Latin 1), and 857 (Turkish)
<b>Downloadable Fonts</b>	TBA
<b>Integrated bar codes</b>	Code 39, Code 93, Code 128, UPC-A, UPC-E, JAN8 (EAN), JAN13 (EAN), Interleaved 2 of 5, Codabar, Code 128, PDF-417 (two-dimensional), ITF, Code 128 extended, RSS
<b>Print</b>	Monochrome in either 44 (standard) or 56 (compressed) columns on 80 mm wide thermal paper  Monochrome in either 49 (standard) or 62 (compressed) columns on 82.5 mm wide thermal paper  Options for 58 mm and 60 mm wide paper are also available
<b>Paper path</b>	58 mm, 60 mm, 80.0 mm, 82.5 mm paper path width models
<b>Print resolution</b>	8-dots/mm
<b>Speed</b>	Up to 150 mm/second throughput (monochrome)
<b>Paper Sensing</b>	Paper out
<b>Human interface</b>	Audible tone from speaker (software-driven). Simple commands in configuration menu issued through paper feed button. Green LED status light, located next to the paper feed button.
<b>Cash drawer driver</b>	Connector for one or two cash drawers (obtain a "Y" cord for two drawers)
<b>Knife</b>	Paper cutter standard on all units.

---

## Factory-installed options

- Cabinet color with or without TPG logos

---

## Add-on options

For part numbers and additional ordering information, refer to *Chapter 5: Paper and Supplies*.

- Wall mount kit for printer
- Wall mount kit for power supply
- Enhanced spill resistant attachments: spill shield
- Power supply: 55-watt or 75-watt
- Power cords: US, SEV, UK AC, and Australia AC cords

---

## Printing features

The A798 printer is versatile, with diverse printing options available. Text, graphics, and bar codes can be presented in many different forms and sizes. For more information on programming the printer to change text, graphics, or other characteristics, refer to the **A798 Programming Guide**.



## Chapter 3: Setting up the Printer

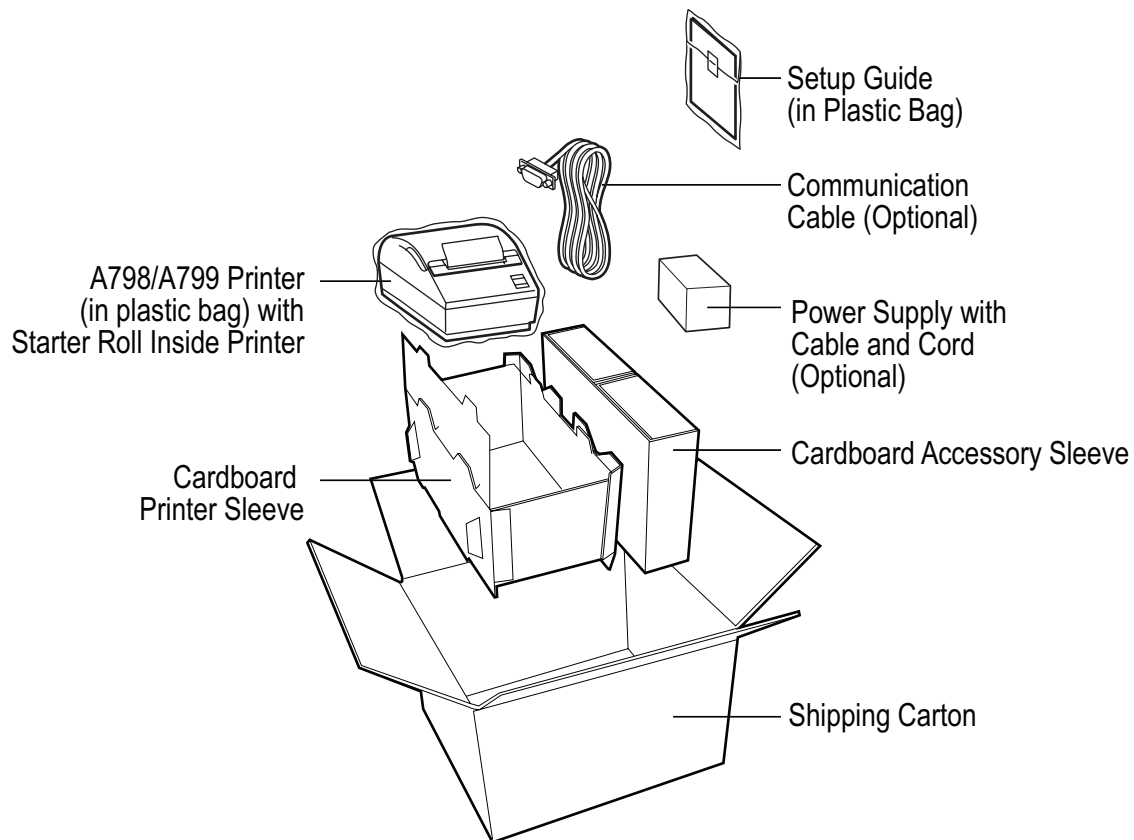
### Unpack the printer

#### Check the packing list

Save the packing materials in case you need to repack the printer for shipping or storage. Before installation, check that all the items on this list have been shipped (printers shipped in bulk may not include all these items):

- Printer (enclosed in a plastic bag with foam pack)
- Starter roll of receipt paper (in paper compartment), with paper roll supports
- Test printout (in paper compartment).
- Setup Guide
- Power supply with cable and cord (if ordered)
- Printer-host communication cable (if ordered)

To report any missing items or shipping-related problems, contact your representative or call TPG customer service at (877) 209-0156

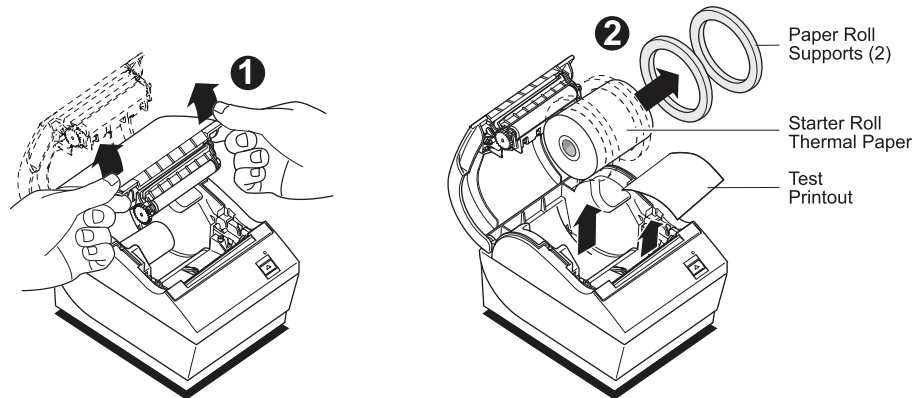


## Load or change the receipt paper

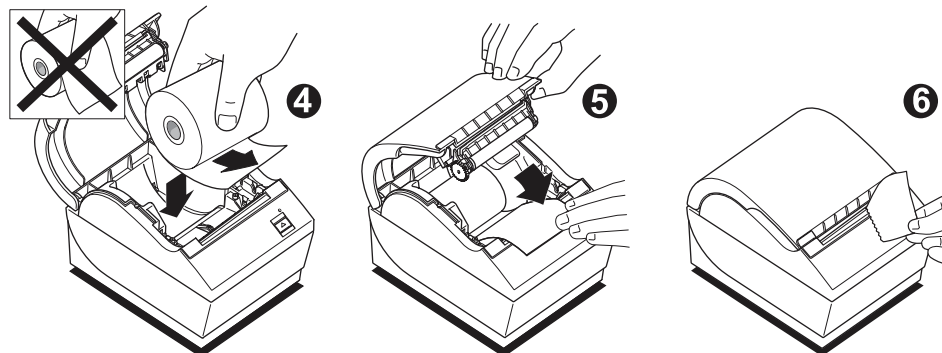
**Caution:** You must use qualified paper rolls with TPG printers. The list of qualified paper is in Chapter 5. Using unqualified paper may void the warranty.

You will later use the same procedure to change the receipt paper as you will to load it during installation. The minor difference is noted in the directions below.

If you are installing the printer using the wall mount kit, you may find it easier to load the paper roll after installation.



- 1 Open the receipt cover by pushing up evenly on each side of the cover until it unsnaps (1).
  - 2 **Loading:** Remove the test printout (2) and starter roll. Slide the supports off the roll (3).  
**Changing:** Remove the used paper roll.
  - 3 Tear a clean edge on the new receipt paper roll, making sure the tape has been completely removed.
  - 4 Place the receipt paper into the paper compartment so it **unrolls from the bottom** (4). Leave a few inches of paper sticking out of the printer.
  - 5 While holding the paper in place, close the receipt cover (5). To test that the paper is loaded correctly, advance the paper with the paper feed button.
- Note: If the paper jams, make sure the roll is inserted correctly. Check the illustration above for proper orientation.*
- 6 Tear the excess paper off against the blade in the cover (6).



---

### **Changing the paper path width**

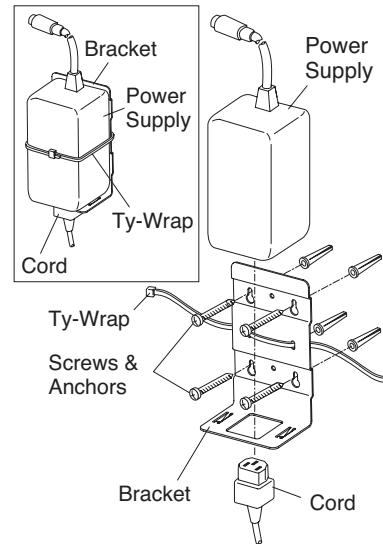
The A798 can be adjusted to print on paper rolls with widths of 58 or 60 mm. To perform this adjustment, please refer to the A798 Service Guide. A trained service technician must perform this adjustment.

*Note: The A798 printer can also print on paper rolls 82.5 mm wide. This option for the printer is factory installed. Please contact TPG for details.*

## Mounting the 55-watt power supply on a vertical surface (using optional kit A798-K309)

- 1 Select a location that allows adequate support for the power supply and reaches an electrical outlet and the printer. Mount the bracket using the instructions provided with the A798 power supply wall-mount kit.
- 2 Set the power supply (K301, available separately) onto the bracket and secure with the provided tie wrap.

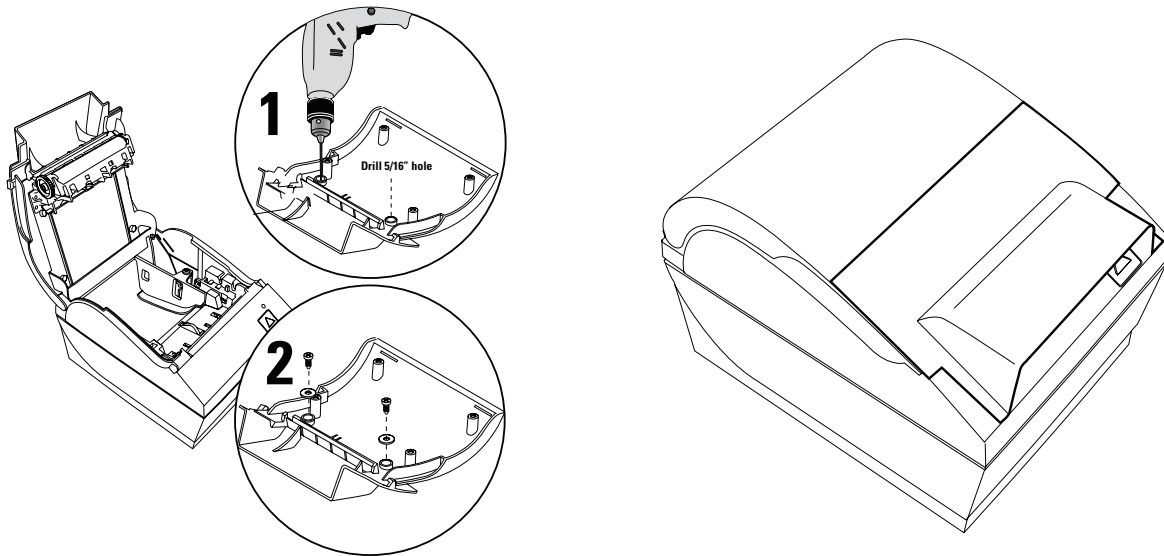
**Caution:** Do not plug in the power supply until all the cables are connected, as this may damage the printer. (See next section page 15.)



## Spill shield option installation

Top and bottom spill shields provide added protection for your printer from moisture or spills. The following instructions describe how to install both of these shields. Shields may be installed individually or as a set.

**Tools:** Phillips head screwdriver

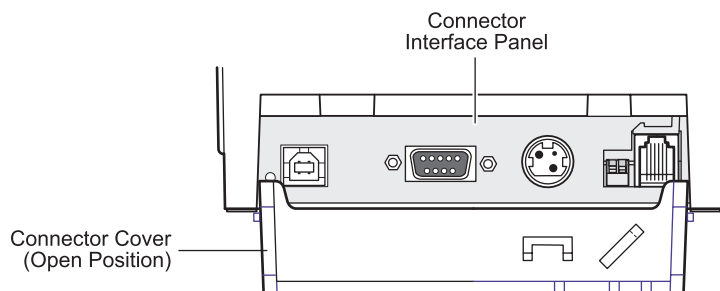


### To install the top spill shield:

- 1 Clean the printer receipt cover in the area where the top spill cover is to be installed.
- 2 Remove receipt cover and drill holes using a #5/32 or 4 mm drill bit (as shown). Open holes further by drilling with a 5/16 or 8 mm drill bit.
- 3 Position the spill shield to the printer.
- 4 Fasten spill shield to receipt cover with screws and washers provided.

## Connect the cables

Cable connections are made at the back of the printer.



**Caution:** Connect the cables to the printer before applying power. The host computer should always be turned off before connecting communication cables.

## Cash drawer cables

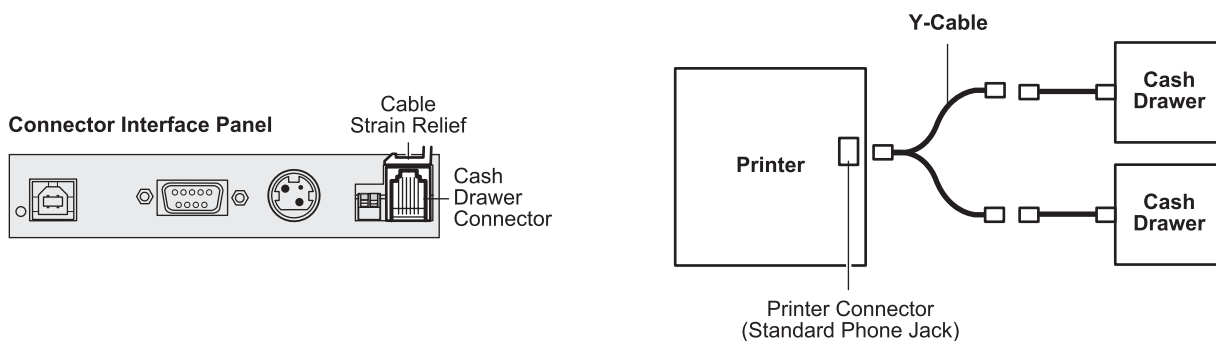
The cash drawer cable connects the printer to one or two cash drawers.

(For pin-out, see *Service Guide*.)

### To install the cash drawer cable:

- 1 Open the connector cover.
- 2 Plug the cable into the cash drawer connector located at the right side of the illustration.
- 3 Route the cable up and through the strain relief clip above the connector and through the opening in the connector cover when shut.

**Note:** If installing two cash drawers, you will need to obtain a Y-cable as shown in the illustration below.



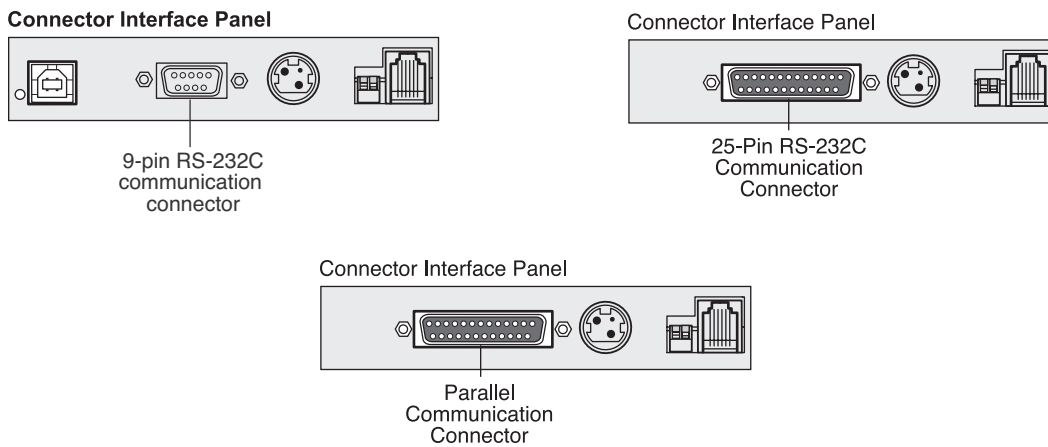
## Communication cables

According to your printer configuration, the printer has different communication connection options. Select and attach either 9-pin RS-232C, 25-pin RS-232C, standard USB, or powered USB communication cable to the printer and host computer.

For printers with both 9-pin RS-232C and USB connectors, only a single communication connection is to be used during operations.

### RS-232C cable (9-pin and 25-pin) and Parallel

The communication cable connects the printer to the host computer using either the 9-pin or 25-pin RS-232C interface. Installation is identical for both connectors.



#### To install the communication cable:

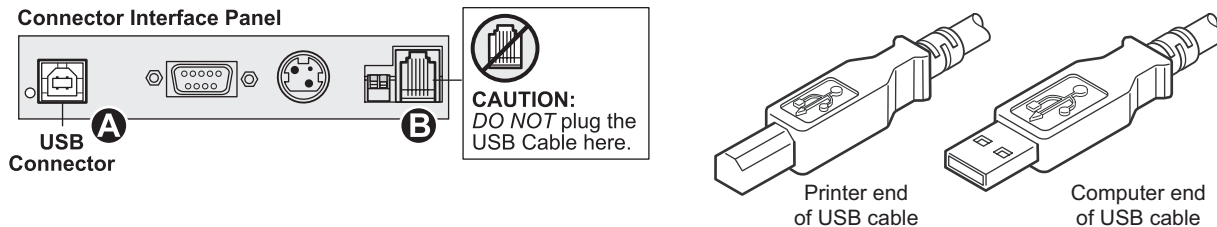
- 1 Make sure the host computer is off.
- 2 Open the connector cover at the rear of the printer.
- 3 Attach the communication cable to the communication connector, shown in the center in the illustration. Tighten the screws to secure the cable and ensure a stable connection.
- 4 Connect the cable to the host computer.



## USB cable

Unlike the other connections, the USB cable may be attached and detached while the system is operating.

Using the USB connector with the printer requires that you install the TPG USB driver appropriate for your system. If you are replacing a USB-equipped TPG printer, you may not need to reinstall the driver.



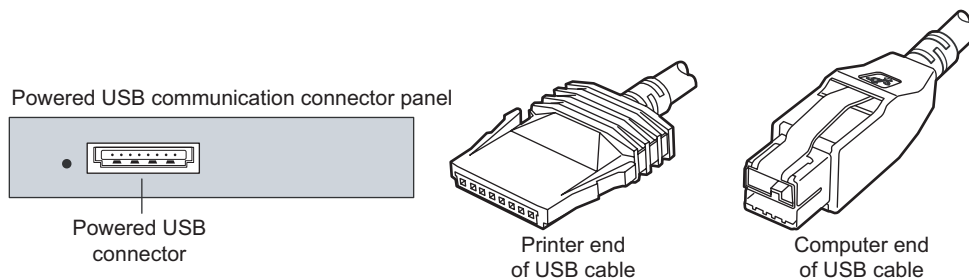
### To install the USB cable:

- 1 Open the connector cover at the rear of the printer.
- 2 Attach the USB cable to the USB connector, shown at the left above (A). **Don't plug the USB cable into the cash drawer connector (B) by mistake!** Doing so may damage the printer. The USB symbol should face up when inserted into the port. Make sure the connection is snug.
- 3 Route the cable through the strain relief on the connector cover (see the "Cable routing" section which follows on page 22).
- 4 Connect the cable to the USB port in the host computer. Again, make sure the USB symbol on the connector is face up when you plug it into the port.

After you have completed setting up the printer, you can install the USB driver on the host computer.

Download the USB driver to the host computer from the TPG corporate Web site at <http://www.TPGprinters.com>. Downloads can be found in the *Service & Support* section of the site.

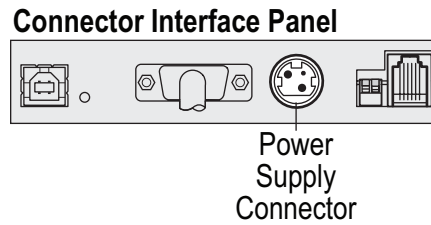
## Powered USB cable



- 1 Be sure the host computer is turned off.
- 2 Plug the printer end of the USB cable into the USB connector port on the printer.
- 3 Route the cable from the printer through the strain relief tab as shown under Cable Routing on page 19.
- 4 Plug the computer end of the USB cable into the computer.

---

## Power supply cable



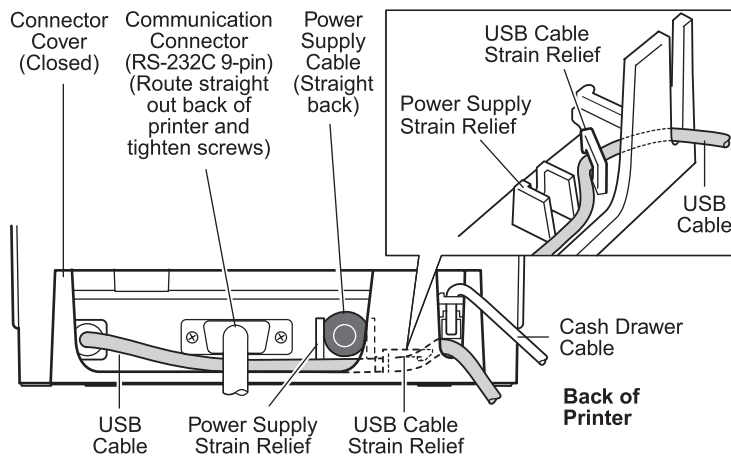
To avoid damaging the printer, connect the power supply last.

- 1 Plug the power cable into the power connector located in the center of the illustration.
- 2 Close the connector cover until it snaps, making sure that all the cables are aligned with the slots in the connector cover. Double-check that the strain relief on the connector cover is aligned with the power supply cable (see “Cable routing” section which follows).
- 3 Plug the power cord into the power supply.
- 4 Plug the power supply into a grounded outlet. When it is properly powered, the green LED on the top of the printer will light up.

**WARNING!** Using this device without a grounded outlet is a safety hazard and voids the printer Warranty, Safety, FCC and CE Mark designation.

## Cable routing

To prevent the printer from becoming unplugged accidentally, make sure the cables are routed as shown in the illustration below.



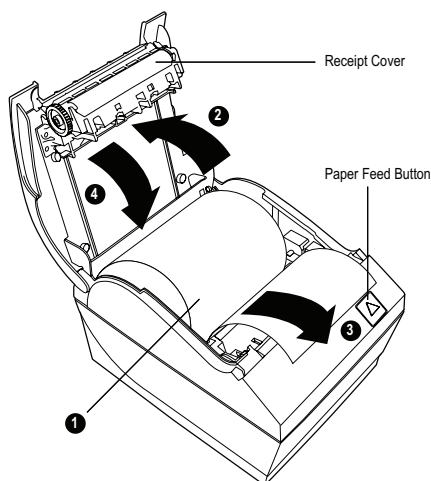
### For USB printers only:

Guide the USB cable through the strain relief and out the slot in the connector cover, as shown in the illustration. The USB cable fits underneath the power supply and cash drawer cables. The RS-232C cable routes straight out the back when attached.

## Test the printer

If the printer is functioning normally, it will beep once. If it responds differently, look in *Chapter 4: Using the Printer*, “Troubleshooting the printer” (page 31) or contact TPG for technical support.

The printer will arrive for installation pre-configured. The printer’s current configuration appears on the test (diagnostics) printout. However, if you would like to run a new print test or check the configurations, you can run a diagnostics printout detailing the current configuration.



### To run a diagnostic test:

- 1 Make sure paper is in the printer (1).
  - 2 Open the receipt cover (2).
  - 3 Press and hold the paper feed button (3).
  - 4 Close the receipt cover, continually holding the paper feed button until the configuration printout begins (4).
- For further instructions, see *Chapter 4: Using the printer*, “Configuring the printer” (page 20).

## Chapter 4: Using the Printer

### Configuring the printer

The configuration menu allows the user to set general printer parameters. The test prints the diagnostics form, which details settings for all functions. The printer will partially cut the paper between each variation.

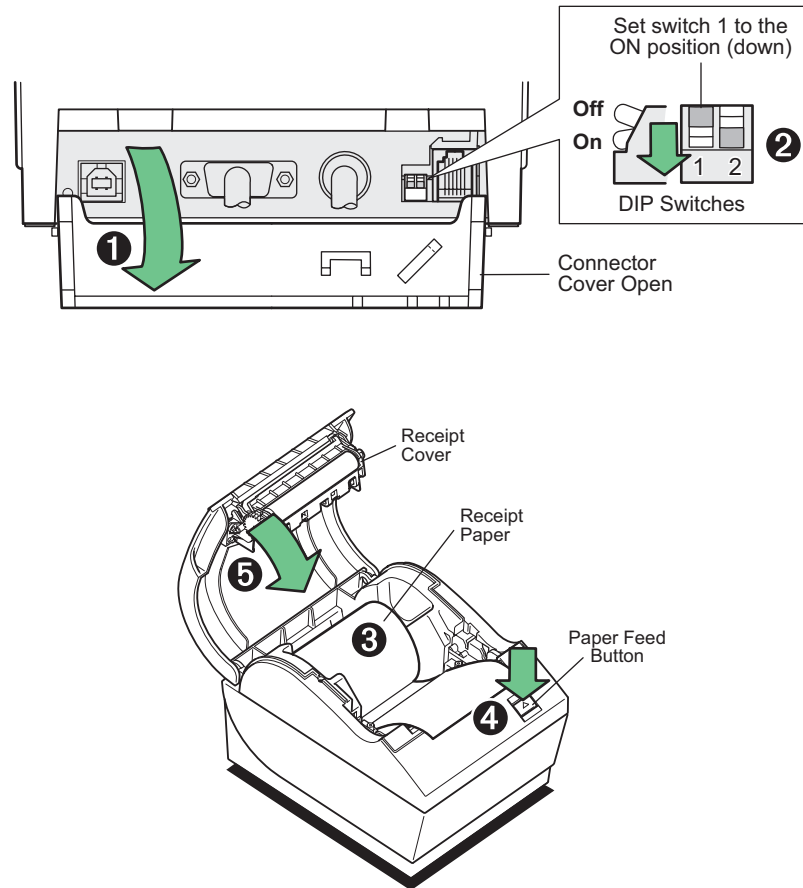
The printouts may vary for each model. The test ends with a partial cut of the paper. A complete test printout may require the use of several feet of paper.

Since the printer is usually shipped pre-configured, most users do not need to change the configuration of the printer. If you make adjustments to the configuration, be careful not to inadvertently change settings that may affect the printer's performance. TPG does not recommend that users change the printer configuration.

Additional information on configuring the printer is found in the **A798 Programming Guide**.

***Hint:** The printer is shipped with a test printout that includes the preset configuration. If you run into problems after changing the printer configuration, use these settings as a default. For guidance or assistance, you may contact an TPG representative.*

### To enter the configuration mode:



- 1 Open connector cover (1).
- 2 Set DIP switch 1 to the ON position (down) (2). DIP switch 2 should be in the OFF position (up).
- 3 Make sure receipt paper (3) is loaded in the printer before proceeding. (See page 12.)
- 4 Cycle DIP switch 2 down (reset ON position), then up (normal OFF position).  
- or -  
Press and hold the paper feed button (4), close the receipt cover (5), continually holding the paper feed button until the configuration printout begins.
  - The printer beeps, then prints the diagnostics form and the configuration main menu.
  - The printer pauses and waits for a main menu selection to be made (see sample printout on the next page; short clicks are used, except when answering “yes” or validating selection).
- 5 To communicate with the printer, you will press the paper feed button using either short or long clicks. Use a long click for “yes” (more than one second) and a short click for “no.” Follow the printed instructions to make selections.
- 6 Continue through your menu selections until you are asked, “Save New Parameters?” Select “Yes” or “No.”
  - a If you wish to save, select “Yes,” then return DIP Switch 1 to the OFF position (up).
  - b Open the receipt cover.  
Press and hold the paper feed button while closing the receipt cover.
    - The diagnostic printout verifies your new settings.
- 7 If you would like to continue configuring the printer, select “No.” The printer then returns to the configuration menu, where you can set parameters again.

```

*** A798 – Diagnostics Form ***

Model number       : A798-720D-TD00
Serial number      : C073400014

Boot Firmware
Revision           : V1.00
CRC                : 08D3
P/N                : 189-7940154A

Flash Firmware
Revision           : V1.00
CRC                : D70C
P/N                : 189-7940155A

H/W parameters
Flash Memory Size  : 2 Mbytes
Flash Logos/Fonts  : 1152 kbytes
Flash User Storage : 64 kbytes
Flash Journal Size : 64 kbytes
SRAM Size          : 128 kbytes
CPU Clock Freq.    : 50 MHz
Head setting       : C
Pre-Heating        : Disabled
Print Density      : 100%
Max Speed          : 150 mm/sec
Paper Width        : 80 mm
Max Power          : 55 W
Knife              : Enabled
Partial Cut        : 125 steps
Paper Low Sensor   : Disabled

Comm. Interface
RX Buffer Size     : 4096
Interface type    : RS232/USB
Parameters
Baud Rate         : 115200
Data Bits         : 8
Stop Bit          : 1
Parity            : NONE
Flow Control      : DTR/DSR
Reception-Errors  : Ignore
USB Driver Type   : Printer Class
USB Packet-w/Error : Reject

Resident Code Pages : 437, 850, 852, 857, 858
                   : 860, 863, 865, 866
                   : 1252, 862, 737, 874

A715 CP850 Emulation : Disabled

Logo(s) defined    : YES
User Char(s) defined : NO
Journal Unused     : 64 kbytes

To enter Printer Config Menu :
1) Flip DIP switch #1 down
2) Reset the printer, while holding
   the Paper Feed button down
    
```

```

***** MAIN MENU *****
*****

Select a sub-menu :
- EXIT                -> 1 click
- Print Current Configuration -> 2 clicks
- Set Communication Interface -> 3 clicks
- Set Diagnostics Modes     -> 4 clicks
- Set Emulation/Software Options -> 5 clicks
- Set Hardware Options      -> 6 clicks
- Set Paper Type            -> 7 clicks

Enter code, then hold Button DOWN
at least 1 second to validate
    
```

When the printer is configured for USB, this location will show either: "USB Driver Type: Native", "USB Driver Type: Printer Class", or "USB Driver: Comm Class".

Print test and Configuration menu samples. Samples will vary depending on the printer model. (Shown approximately 60% of size)

Short clicks are used in the main menu selections.

---

## Monochrome paper print density

This function makes it possible to adjust the energy level of the printhead to darken the printout or adjust for paper variations. An adjustment should only be made when necessary. The factory setting is 100%.

**Warning:** *Choose an energy level no higher than necessary to achieve a dark printout. Failure to observe this rule may result in a printer service call or voiding of the printer warranty. Running at a higher energy level will reduce the printhead life. Consult your TPG representative or TPG technical support if you have any questions.*

When the printer prints high-density print lines (text or graphics), it automatically slows down.

### To change the print density:

- 1 Enter the configuration menu (follow directions on page 21).
- 2 Select “Set Hardware Options” from the main menu.  
Printer responds, “Hardware Options Menu,” and when scrolled prompts, “Set Print Density?”
- 3 Select “Yes”.  
A warning is printed, followed by the density adjustment selections.  
Enter clicks for selection, then hold button down at least 1 second to validate.

---

## When to change the receipt paper

Change the paper when it is near the end of the roll or out. When the paper is low, you will want to monitor usage to avoid running out part way through a transaction. When the paper is out, you must load a new roll immediately or data may be lost!

### When paper is low:

- Colored stripe appears on the receipt paper, (if paper is purchased with stripe) and indicates enough paper remains for a small transaction.
- If paper low option is installed on the printer, the green LED flashes slowly indicating that approximately 15 feet of paper remains. If too much paper is left on the roll, the “paper low” setting can be adjusted by entering the configuration menu and changing the “paper low” extension setting.

### When paper is out:

- Green LED flashes quickly indicating the paper must be installed.

**Warning:** *Do not try to operate the printer or host computer if the printer runs out of paper. The printer may continue to accept data from the host computer even though it is unable to print. Data may be lost as a result!*

For instructions on how to change the receipt paper, look in *Chapter 3: Setting up the Printer*, “Load or change the receipt paper” (see page 12).

---

## Printhead Setting

The printhead energy rating and printer setting must match. The setting will be preconfigured from the factory but may require changing should service to the thermal mechanism be required. The “Head Setting” on the diagnostic printout must match the letter marked on the front right of the thermal mechanism. Whenever the thermal mechanism is replaced, if the letter on the the mechanism is different from the head setting, you must enter the configuration menu and set the printhead to match. (See *A798 Service Guide* for replacing the thermal mechanism.)



## Preventing overheating of the printhead

There are restrictions on the duty cycle because of the heat generated by the thermal printhead when printing solid blocks (regardless of the length of the block in relation to the print line). The restrictions are ambient temperature, the percentage of time (measured against one minute) of continuous solid printing, and the amount of coverage.

Keep in mind that the ambient temperature may be affected by factors such as direct exposure to sun or close proximity to heating elements.

**Caution:** *When the duty cycle exceeds the limits shown in the table, the receipt printhead will heat up and shut down. This may damage the printhead.*

To avoid this problem, do one or a combination of the following:

- 1 Reduce the amount of coverage.
- 2 Reduce the time of continuous solid printing.
- 3 Reduce the ambient temperature.

### Allowable duty cycle (measured over one minute of continuous printing)

Amount of solid coverage	Ambient temperature		
	25°C	35° C	50° C
20%	100%	50%	20%
40%	50%	25%	10%
100%	20%	10%	4%

#### Duty cycle

Percentage of time that the specified "Amount of solid coverage" can be printed during a one minute period of time.

Example: at 20% solid coverage, 35° C temperature, a 50% duty cycle is to be used, resulting in 30 seconds of printing and 30 seconds without printing.

#### For reference:

- A typical receipt with text (contains some blank spaces) is approximately 12% dot coverage.
- A full line of text characters (every cell on the line has a character in it) is approximately 25% dot coverage.
- Graphics are approximately 40% dot coverage.
- Barcodes are approximately 50% dot coverage.
- A solid black line is 100% dot coverage.

## Troubleshooting the printer

The printer is simple and generally trouble-free, however unexpected conditions may arise. Use the charts below to diagnose and solve these printer conditions. To resolve complex issues, you may need to contact a service representative.

If unexpected conditions arise while installing the USB driver, take a look in the FAQ section under the “service and support” tab located at [www.tpgprinters.com](http://www.tpgprinters.com).

### Printer tone and green LED

Condition	Possible causes	What to do	Where to go for more information
Green LED, quick steady flashing	Paper out	Load a new paper roll	Chapter 3: Setting up the Printer, “Load or change the receipt paper” (See page 12)
	Receipt cover open	Close the cover	
	Knife unable to home	Stop using the printer	Contact your authorized service representative.
Green LED, slow steady flashing	Paper is low (if paper low sensor is installed)	Load a new paper roll	Chapter 3: Setting up the Printer, “Load or change the receipt paper” (See page 12.)
	Other problems may be indicated	Stop using the printer	Contact your authorized service representative
Printer beeps (two-tone—low frequency, high frequency)	Printer has been turned on and is ready to operate	No action is required	
Printer beeps and flashes green LED in various combinations	These all indicate serious conditions	Stop using the printer	Contact your authorized service representative

## Printing issues

Condition	Possible Causes	What to Do	Where to Go
Colored stripe on the receipt	Paper is low	Change the paper	Chapter 3: Setting up the printer, "Load or change the receipt paper" (See page 12)
Receipt does not come out all the way	Paper is jammed	Open the receipt cover, inspect the knife, and clear any jammed paper	
Printer starts to print, but stops while the receipt is being printed	Paper is jammed	Open the receipt cover, inspect the knife, and clear any jammed paper	
Receipt is not cut	Paper is jammed	Open the receipt cover, inspect the knife, and clear any jammed paper	
Print is light or spotty	Paper roll loaded incorrectly	Check that the paper is loaded properly	Chapter 3: Setting up the printer, "Load or change the receipt paper" (See page 12)
	Thermal printhead is dirty	Use recommended thermal receipt paper <b>(See note below.)</b>	Chapter 5: Paper and Supplies, "Ordering thermal paper" (See page 29)
	Variations in paper	Increase print density in "Set Hardware Options" of printer Configuration Menu to 110% or 120% as needed	Contact your authorized service representative or refer to Chapter 4: Using the Printer, "Configuring the printer" <b>USE CAUTION when changing settings</b> (See page 20)
Vertical column of print is missing	This indicates a serious condition with the printer electronics	Stop using the printer	Contact your authorized service representative
One side of receipt is missing	This indicates a serious condition with the printer electronics	Stop using the printer	Contact your authorized service representative

**Note:** If paper has been used which is not on the TPG recommend paper list, resulting in a dirty printhead, the printhead may require cleaning prior to switching back to TPG recommended paper. See Chapter 5 for a list. If non-recommended paper is used over an extended period, attempting to clean the printhead will have little effect on print quality.

Do not try to clean within the printer except as noted in the **A798 Service Guide**, Chapter 4: Cleaning and Maintenance.

---

**Printer does not function**


---

Condition	Possible Causes	What to Do	Where to Go
Printer does not function when turned on	Printer not plugged in	Check that printer cables are properly connected on both ends	Chapter 3: Setting up the printer, "Connect the cables" (See page 15)
		Check that the host or power supply is getting power	Chapter 3: Setting up the printer, "Connect the cables" (See page 15)
	Receipt cover not fully closed	Close and latch the receipt cover	
Printer stops functioning	Printhead has overheated	Allow the printhead to cool down	Chapter 4: Using the Printer, "Preventing overheating of the printhead" (See page 25.)
	Interrupted data signal over USB connection	Ensure the standard USB cable is no more than 5 meters long, with no extensions; eliminate hubs	
	Faulty USB port	Plug cable into another USB port on host computer	
Interruption of data	RS-232C mode not working	Printer had previously been connected to USB host	Reset printer and check normal RS-232C faults.
Printer goes off-line (red LED on USB connector is on or off)	USB cable is not connected properly	If printer doesn't auto-recover after 5–20 seconds, reconnect the USB cable, reset the printer, and reboot the host computer; check that USB cable are properly connected on both ends	Chapter 3: Setting up the Printer, "Connect the cables" (See page 19)

## Chapter 5: Paper and Supplies

### Ordering from TPG

Printer parts, accessories, and small quantities of paper can be ordered directly from TPG. While the TPG part numbers are listed here for your convenience, keep in mind that these numbers may change before this guide is outdated. To place an order or get more non-technical information, call your TPG representative or the sales line at (800) 732-8950.

TPG is able to provide paper in small lots to facilitate product evaluation and testing. Contact your TPG representative for more information on ordering.

### Ordering thermal paper

#### Thermal paper specifications

The printer requires qualified thermal paper with the following dimensions:

Width	Diameter	Length
58 ± 0.2 mm (2.28 ± 0.01")	90 mm max. (3.54")	322' nominal
60 ± 0.2 mm (2.36 ± 0.01")	90 mm max. (3.54")	322' nominal
80 ± 0.2 mm (3.15 ± 0.01")	90 mm max. (3.54")	322' nominal
82.5 ± 0.2 mm (3.25 ± 0.01")	90 mm max. (3.54")	322' nominal

The paper must not be attached at the core. Use paper with a colored stripe at the end to indicate that the paper is running low, required when the printer is positioned vertically.

The above figures are based on a core diameter of 22 ± 0.5 mm (0.87") outside, 11.5 ± 0.5 mm (0.45") inside.

---

## Qualified Paper Grades

Contact the converter of your choice to order paper. TPG recommends the following paper grades produced by their respective manufacturers. There are a number of paper converters qualified to provide this paper, provided the POS rolls are from these recommended grades.

### Monochrome (black ink) paper:

Qualified manufacturers	Phone	Paper grade (density)
<b>Appleton Papers, Inc. (USA)</b> 825 E. Wisconsin Ave. Appleton, WI 54912	Voice: (800)922-1729 Fax: (800)922-1712	Optima T1030 (Light) Optima T1012A (Standard) Optima POS-Plus (Light) Optima T2162(Light) Optima Superior (Standard) Optima Hi-Yield
<b>Kanzaki Specialty Papers (USA)</b> 20 Cummings St. Ware, MA 01082-2002	Voice: (888)526-9254 Fax: (413)731-8864	P-300 (Light) P-310 (Standard) P-350 (Standard) P-354 (Standard) P-390 (Standard) TO-260 (Standard) TO-381L (Standard)
<b>Jujo Thermal LTD.</b> P.O. Box 92 FIN-27501 Kauttua, Finland	Voice: (358)2-8393-2900 Fax: (358)2-3893-2419	AF50KS-E3 (Standard) AP62KS-E3 (Standard)
<b>OJI Paper Company Ltd.</b> 5-12-8 Ginza Chuo-ku Tokyo 104, Japan	Voice: (81)3-5550-3076 Fax: (81)3-5550-2950	KF-60 (Standard) PD-170R (Light) PD-160R (Standard)
<b>Koehler UK LTD. (GB)</b>	Voice: (44)1322-661010	KT55-F20 (Standard)

---

## Ordering miscellaneous supplies

---

### Cash drawers

Order cash drawers from the following suppliers:

Cash Drawers	Number
NCR	7052-K657™
M-S Cash Drawer Corp.	EP-125 K series™, EP-127™, EP-102™
APG Cash Drawer	Model 322™
Indiana Cash Drawer	Model SLD™

---

### Power supply and power cords

Other suppliers may use different part numbers.

Item	Type	Number
55-Watt power supply with attached cable to printer and U.S. power supply cord		A798-K330
75-Watt power supply with attached cable to the printer and U.S. power supply cord		A798-K331
55-Watt power supply, attached cable		A798-K301
75-Watt power supply, attached cable		A798-K302
Power supply cord (to outlet)	United States	A798-K320
	International (no plug)	A798-K321
	United Kingdom	A798-K322
	S.E.V.	A798-K323
	Australia	A798-K324
	International (with plug)	A798-K326

---

**Wall-mount kits**

Power supply wall-mount kit: A798-K309

---

**Documentation and utilities**

Contact a sales representative to order the following:

---

A798 User Guide*	A798-UG00001
A798 Programming Guide*	A798-PG00001
A798 Service Guide (TPG certified service technicians only)	A798-SG00001
A798 Setup Guide*	A798-SUG00001

---

\* **Downloadable from TPG web site <http://www.TPGprinters.com> (documentation provided in .pdf format)**





